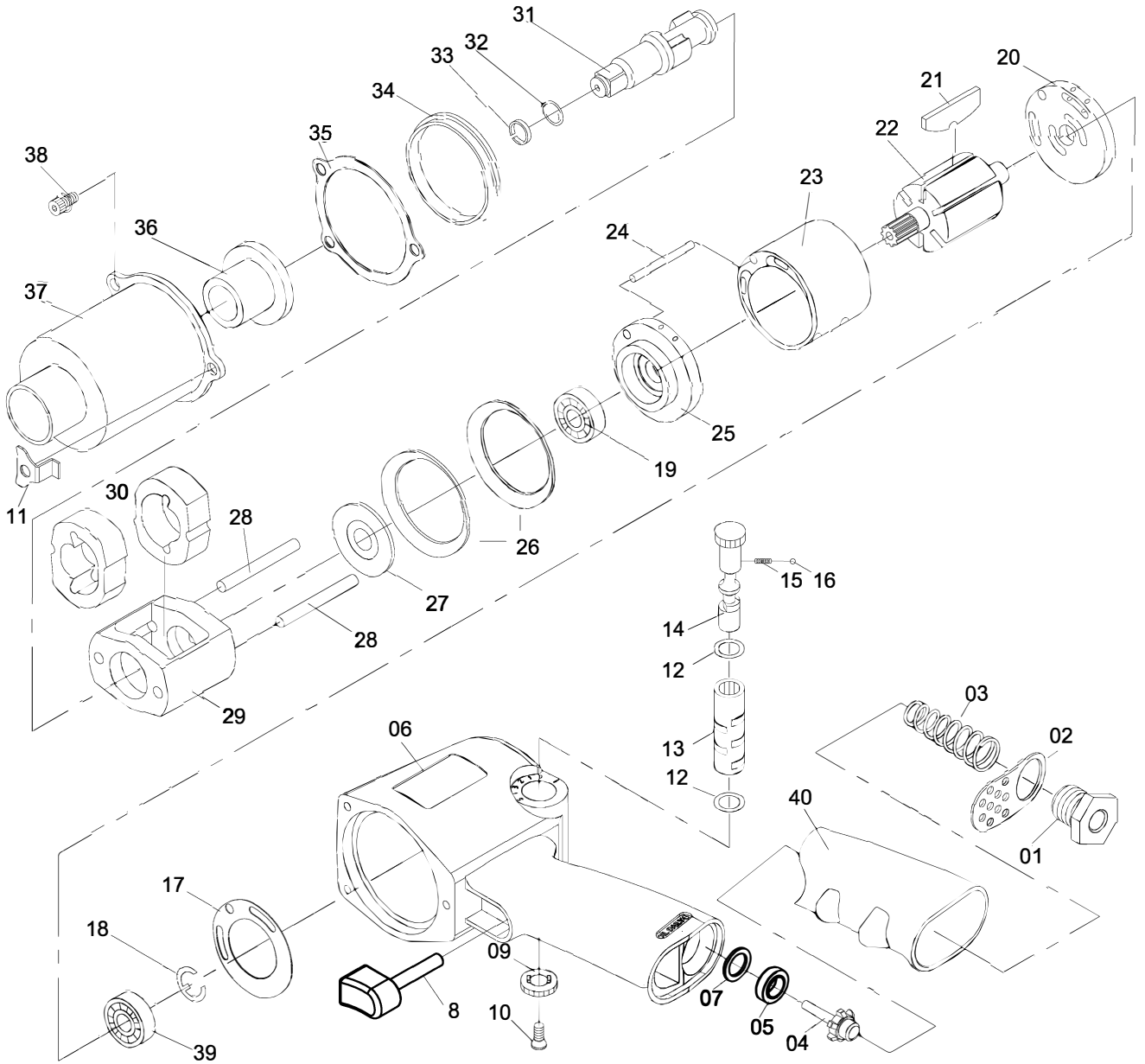


AT-2312XP **GAV** HAVALI SOMUN SÖKME

1/2" DRIVE HEAVY DUTY IMPACT WRENCH (TWIN-HAMMER IMPACT MECHANISM)



INDEX NO.	PARTS NO.	DESCRIPTION	Q'TY	INDEX NO.	PARTS NO.	DESCRIPTION	Q'TY
01	328822	INLET BUSHING	1	22	231222	ROTOR	1
02	328802E	EXHAUST DEFLECTOR	1	23	231223	CYLINDER	1
03	328803-XP	THROTTLE VALVE SPRING	1	24	P0460	GUIDE PIN 04*60L	1
04	328804V	VALVE STEM	1	25	231225	FRONT PLATE	1
05	328835	THROTTLE VALVE SEAT	1	26	231226	CONICAL WASHER	2
06	2312XP06	MOTOR HOUSING	1	27	231227	HAMMER FRAME REAR SPACER	1
07	328825S	SPACER	1	28	611223	HAMMER PIN	2
08	328826	TRIGGER	1	29	231229	HAMMER CAGE	1
09	231209	REVERSE VALVE KNOB	1	30	611225	HAMMER	2
10	231210	SCREW	1	31	231231	ANVIL	1
11	231244	TRIGGER FIXTURE	1	32	OR7718	RETAINER O-RING	1
12	OR1118	BUSHING SEAL □10.8*1.78 N70	2	33	328830-4	SOCKET RETAINER	1
13	231213	REVERSE VALVE BUSHING	1	34	231234	HAMMER HOUSING PILOT RING	1
14	231214	REVERSE VALVE	1	35	231235	GASKET	1
15	231215	DETENT SPRING	1	36	231236	ANVIL BUSHING	1
16	SB0003-1	DETENT BALL □3.0	1	37	231237	HAMMER HOUSING	1
17	231217	GASKET	1	38	231238	SCREW	3
18	ETW-10	RETAINING RING	1	39	B6001	BALL BEARING	1
19	EE4	BALL BEARING	1	40	2312XP43	GRIP	1
20	231220	REAR PLATE	1				
21	231221	ROTOR BLADE	6				